



markilux 790

**Ideal, lateral protection against low-lying sun,
light wind and inquisitive glances –
perfect for large patios and terraces**

01
02
03
04
05
06
07
08
09
10
11
12
13
14
15
16
17
18
19
20
21
22
23



wall docking bracket, here shown with additional angled bracket for side fixture (optional)



safety mechanism for the docking post as standard



bracket for front profile docking post for fixture to a railing (optional)



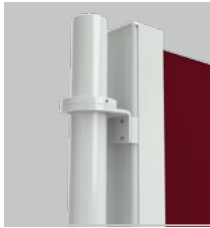
base plate, welded on, for fixture to a solid surface



docking post with ground sleeve



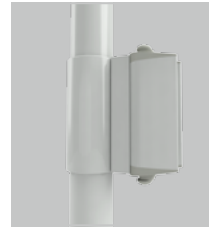
mobilfix (optional): docking post mounted on a granite base plate



detailed view at the top: pivoting bracket (optional) for fixture to the posts of the syncra (depicted) or pergola



detailed view at the bottom: pivoting bracket (optional) for fixture to the posts of the syncra or pergola



bracket for front profile wall bracket for fixture to the posts of the syncra or pergola (optional)

Design Features

for long-lasting attractiveness the awning has been powder coated

when retracted the cover is protected from the weather by the cassette, which encloses it completely

one-piece covers made from widely woven, plain awning fabrics make it possible to do away with seams entirely

round front profile with attractive, ergonomically shaped grip

striped fabrics run vertically

Technical Specification

simple operation – pull the front profile out by the grip

taut cover thanks to the internal, pre-tensioned spring

easy cassette fixture to the side or the rear

unlimited choice of fixture points thanks to the sturdy, self-supporting cassette

fixture of the docking post optionally by insertion into a ground sleeve or by bolting the welded bottom plate to a solid surface



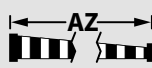

Side screen markilux 790 with angled top edge to match the pitch of other markilux shading solutions

The side screen with angled top edge perfectly complements other markilux shading solutions and provides ideal protection from the side against low-lying sun, light wind and inquisitive glances.

The round front profile with its ergonomically shaped grip is simply pulled out of the cassette.

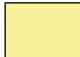
Dimensions and configuration options


Minimum heights


						
		200 – 250	251 – 300	301 – 350	351 – 400	401 – 450 ¹⁾
	173	90	110	125	125	130
	213	90	110	125	125	—
	250	90	110	125	125	—

1) angled top edge not possible








dimensions in cm

 = cover height approx. 162 cm

 = cover height approx. 202 cm

 = cover height approx. 239 cm

Frame colours

		standard	optional
traffic white	RAL 9016		
metallic aluminium	RAL 9006		
grey brown, similar to	RAL 8019		
anthracite metallic	5204		
light ivory	RAL 1015		
stone grey metallic	5215		
off-white textured finish	5233		
Havanna brown textured finish	5229		
non-standard powder-coated finish			

Front profile fixture

	standard	optional
wall docking bracket with front profile	<input checked="" type="checkbox"/>	—
docking post with welded base plate	<input checked="" type="checkbox"/>	—
docking post with ground sleeve	<input checked="" type="checkbox"/>	—
mobifix	—	<input checked="" type="checkbox"/>

Covers

	fabric range no.	standard	optional
sunsilk snc	324 .. / 328 .. / 369 ..	<input checked="" type="checkbox"/> ²⁾	—
transolair	338 ..	—	<input checked="" type="checkbox"/>
vuscreen Alu	317 ..	—	<input checked="" type="checkbox"/> ³⁾
vuscreen FR	318 ..	—	<input checked="" type="checkbox"/> ³⁾
sunvas snc	310 .. / 311 .. 313 .. — 315 ..	<input checked="" type="checkbox"/>	—

2) bonded covers will have vertical seams

3) max. extension 300 cm, max. unit height of 213 cm

Additional information

Definition of the extension: the extension is measured from the leading edge of the cassette to the back edge of the docking post. The greater the extension the greater the force required to extend the side screen.

The width of the awning cover is always **less** than that of the cassette height. For cover sizes please refer to the section “Awning cover tolerances” in the Patio and Balcony Awning manual.

Housing tolerances +5 / -10 mm.

Colours similar to those in the RAL chart. Colours may differ slightly from those depicted in both hue and finish.

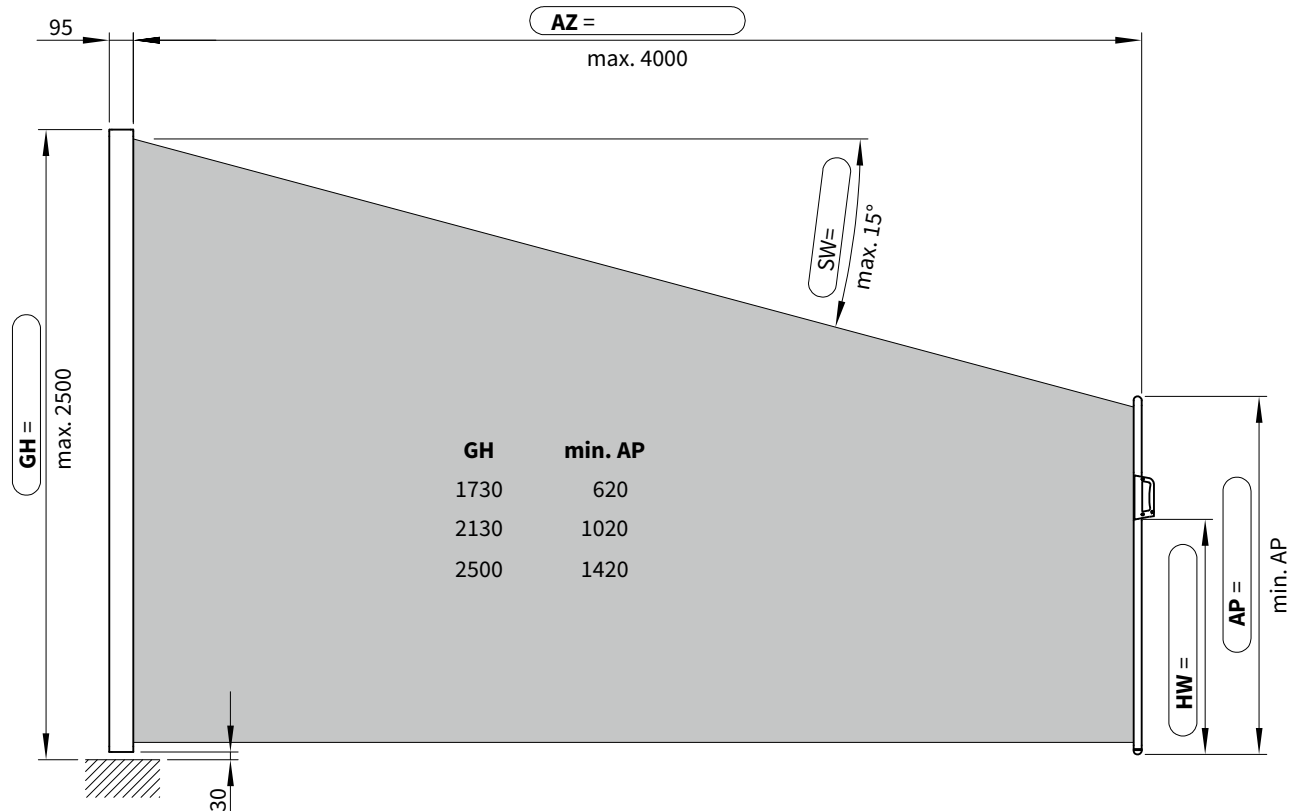
AZ = extension

GH = overall height (cassette height + 30 mm)

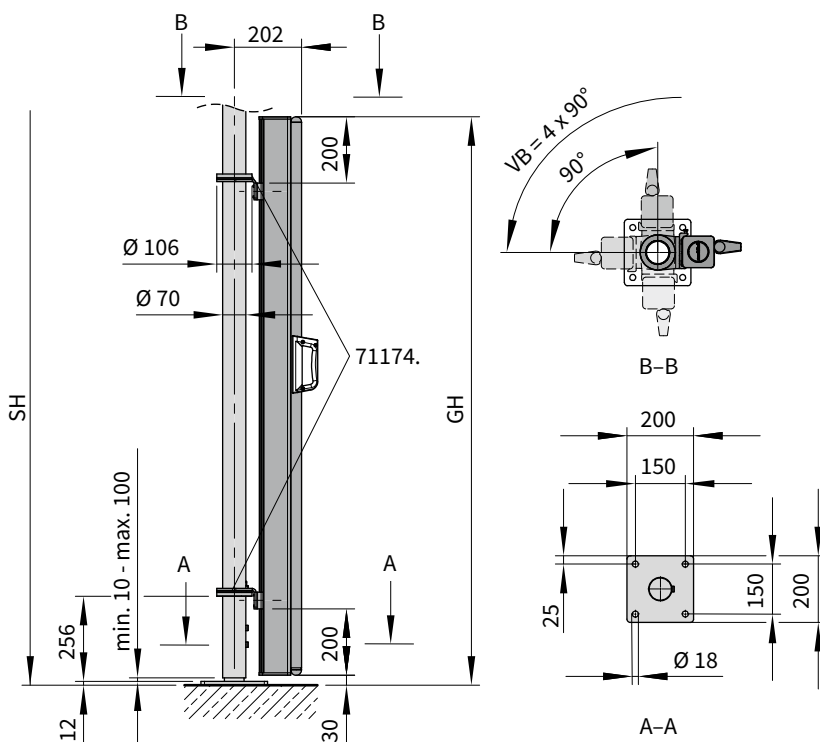
01
02
03
04
05
06
07
08
09
10
11
12
13
14
15
16
17
18
19
20
21
22
23

Dimension overview

Please give the dimensions indicated when ordering

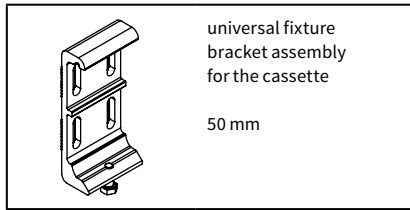


Cassette fixture to the post of markilux pergola



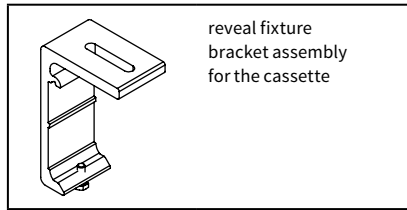
- AP = height of the front profile
- AZ = extension
- GH = overall height
- HW = height of the wall docking bracket
- SW = angle of the top edge of the cover
- SH = post height of the markilux pergola
- GH = overall side screen height
- A-A = section A-A: dimensions pergola base plate | post assembly
- B-B = section B-B: adjustment range (VB) of the fixture brackets with locking lever (4 × 90°)
- VB = adjustment range (VB) of the fixture brackets with locking lever (4 × 90°)

Fixtures, fittings and accessories



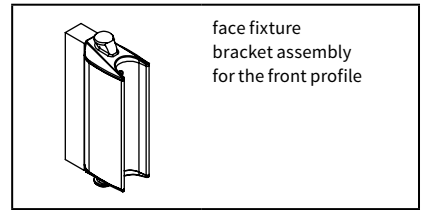
universal fixture bracket assembly for the cassette
50 mm

78758.



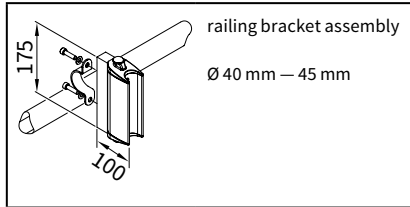
reveal fixture bracket assembly for the cassette

77845.



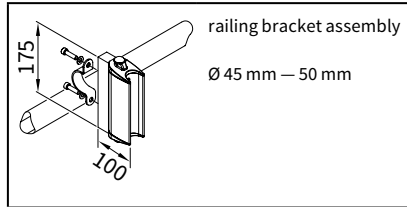
face fixture bracket assembly for the front profile

77822.



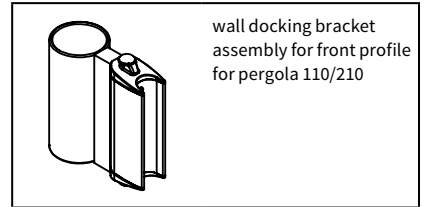
railing bracket assembly
Ø 40 mm – 45 mm

77984.



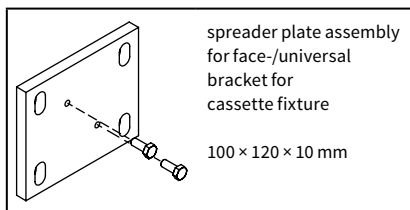
railing bracket assembly
Ø 45 mm – 50 mm

77985.



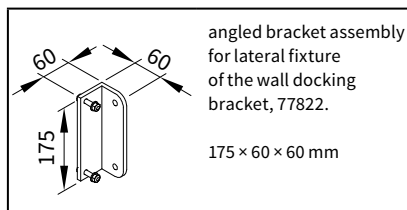
wall docking bracket assembly for front profile for pergola 110/210

71136.



spreader plate assembly for face-/universal bracket for cassette fixture
100 × 120 × 10 mm

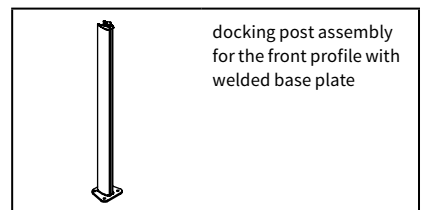
78982.



angled bracket assembly for lateral fixture of the wall docking bracket, 77822.

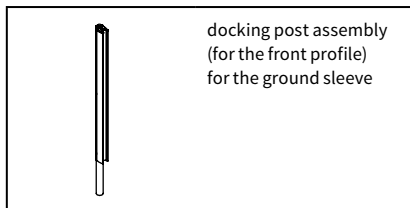
175 × 60 × 60 mm

77987.



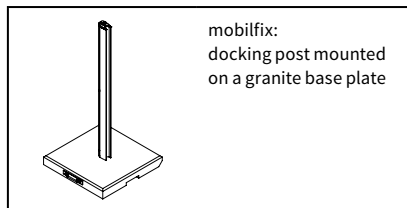
docking post assembly for the front profile with welded base plate

77820.



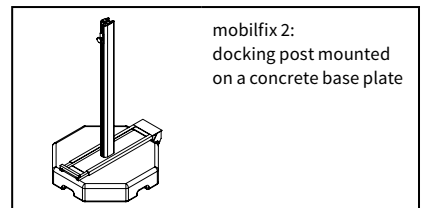
docking post assembly (for the front profile) for the ground sleeve

77821.



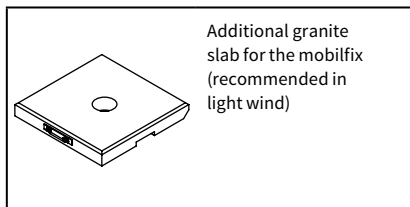
mobilfix: docking post mounted on a granite base plate

77821. + 778941



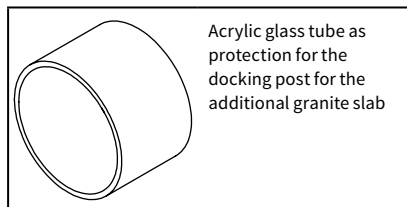
mobilfix 2: docking post mounted on a concrete base plate

76838.



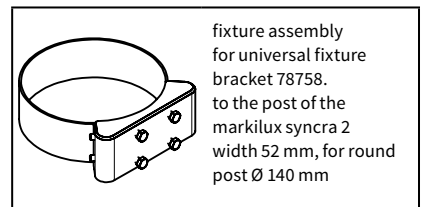
Additional granite slab for the mobilfix (recommended in light wind)

779311



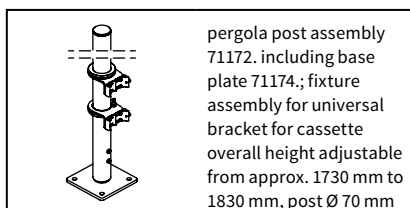
Acrylic glass tube as protection for the docking post for the additional granite slab

779321



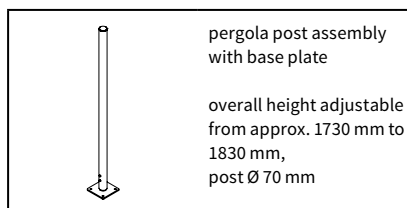
fixture assembly for universal fixture bracket 78758. to the post of the markilux syncra 2 width 52 mm, for round post Ø 140 mm

72208.



pergola post assembly 71172. including base plate 71174.; fixture assembly for universal bracket for cassette overall height adjustable from approx. 1730 mm to 1830 mm, post Ø 70 mm

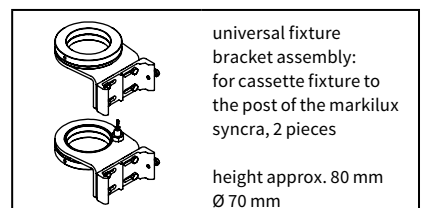
71175.



pergola post assembly with base plate

overall height adjustable from approx. 1730 mm to 1830 mm, post Ø 70 mm

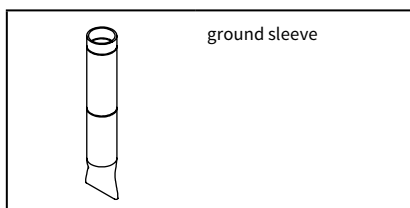
71172.



universal fixture bracket assembly: for cassette fixture to the post of the markilux syncra, 2 pieces

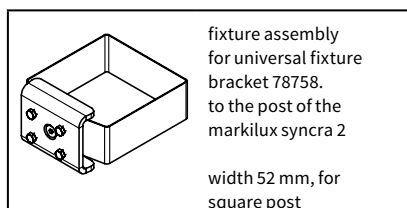
height approx. 80 mm Ø 70 mm

71174.



ground sleeve

702730



fixture assembly for universal fixture bracket 78758. to the post of the markilux syncra 2

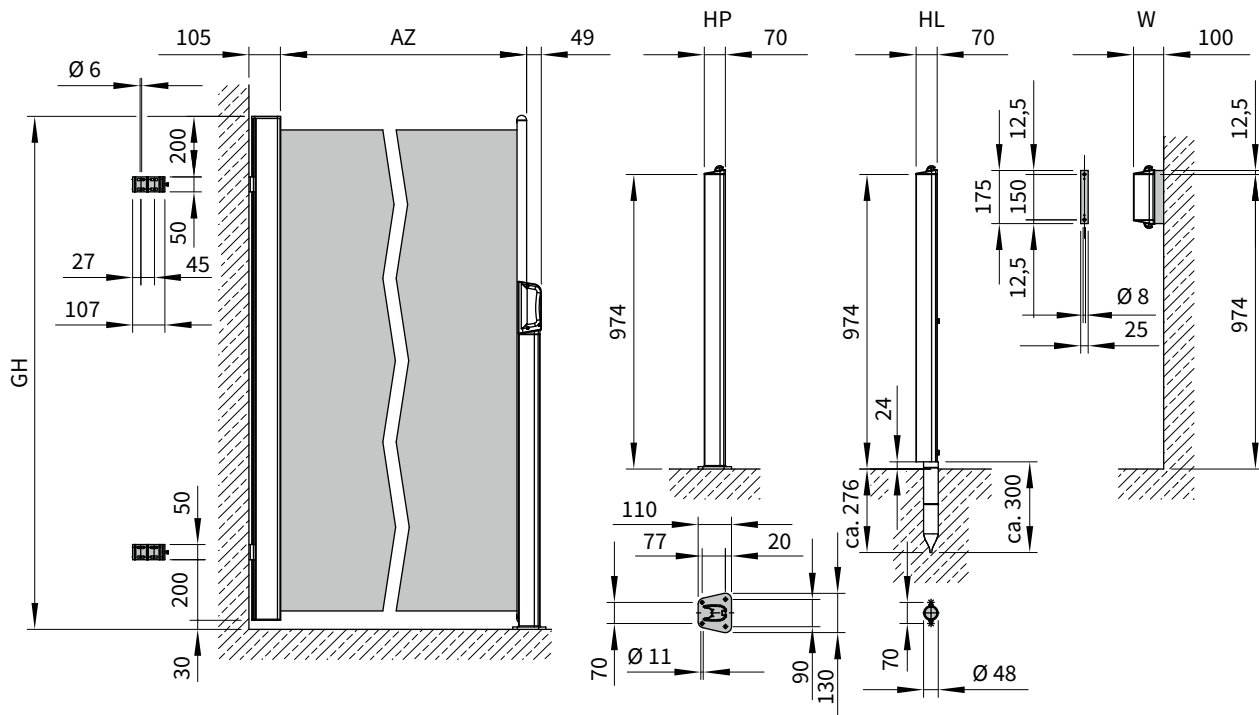
width 52 mm, for square post

72231.

. = insert RAL colour code no

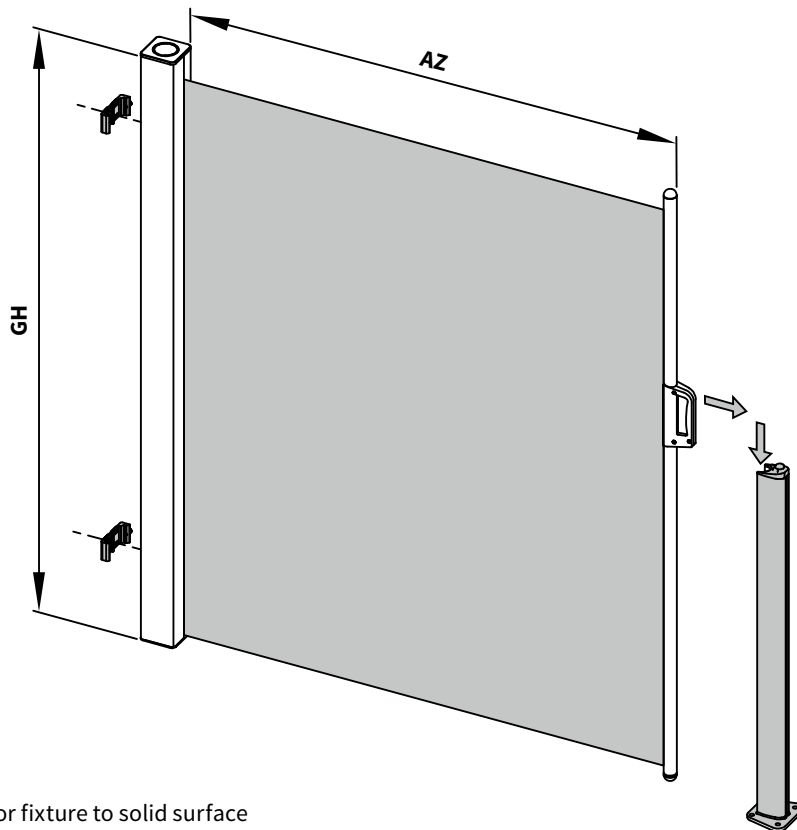
01
02
03
04
05
06
07
08
09
10
11
12
13
14
15
16
17
18
19
20
21
22
23

Dimension overview of bottom plate / ground sleeve and wall docking bracket



dimensions in mm

Schematic view of the docking post with welded base plate



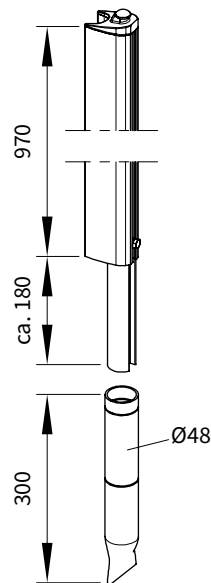
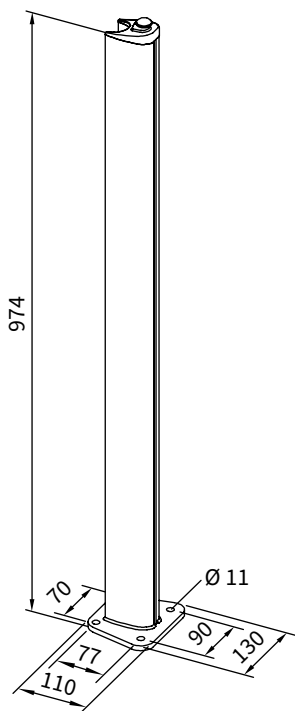
- AZ = extension
- GH = overall height
- HP = docking post for fixture to solid surface
- HL = sleeve assembly for insertion in the ground
- W = face fixture

dimensions in mm

Docking post

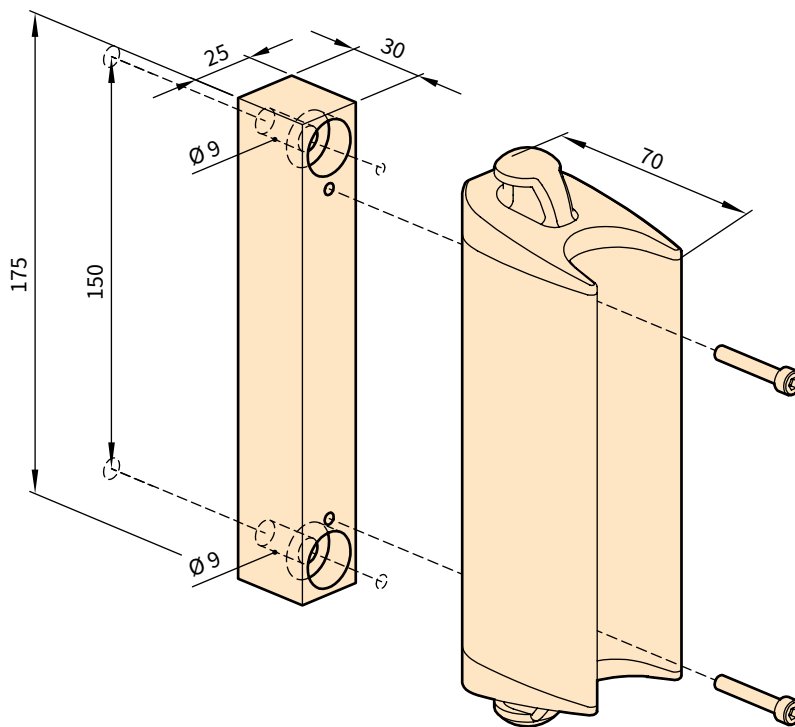
with welded base plate

with ground sleeve



dimensions in mm

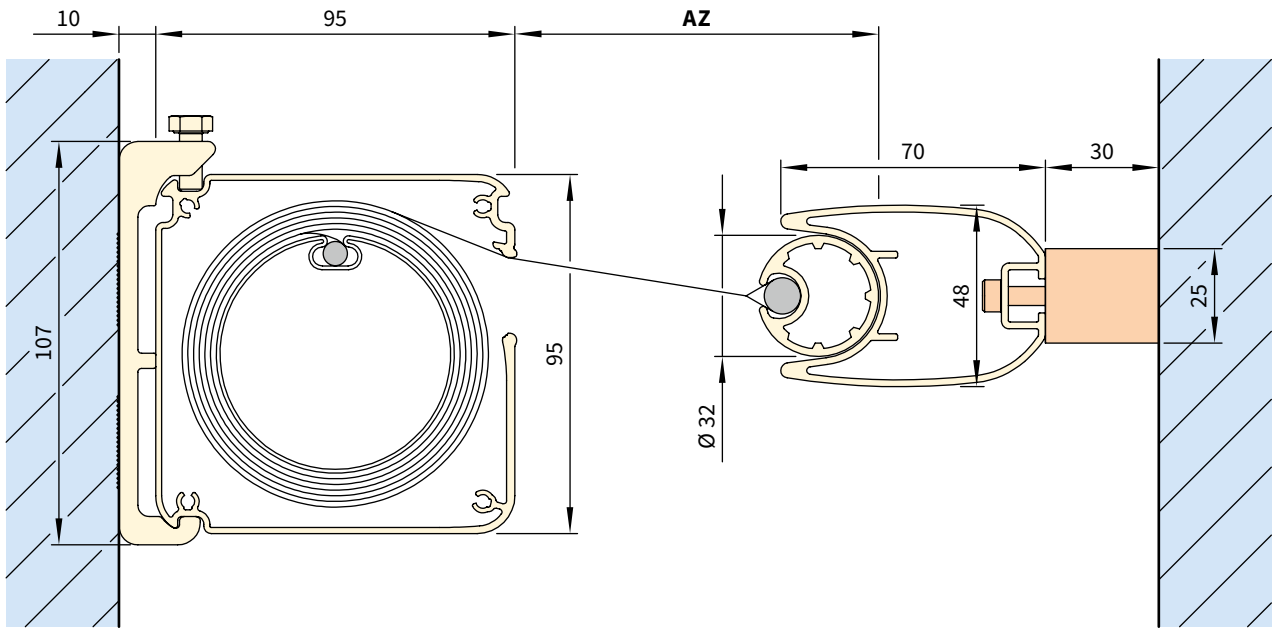
Wall docking bracket for front profile fixture



dimensions in mm

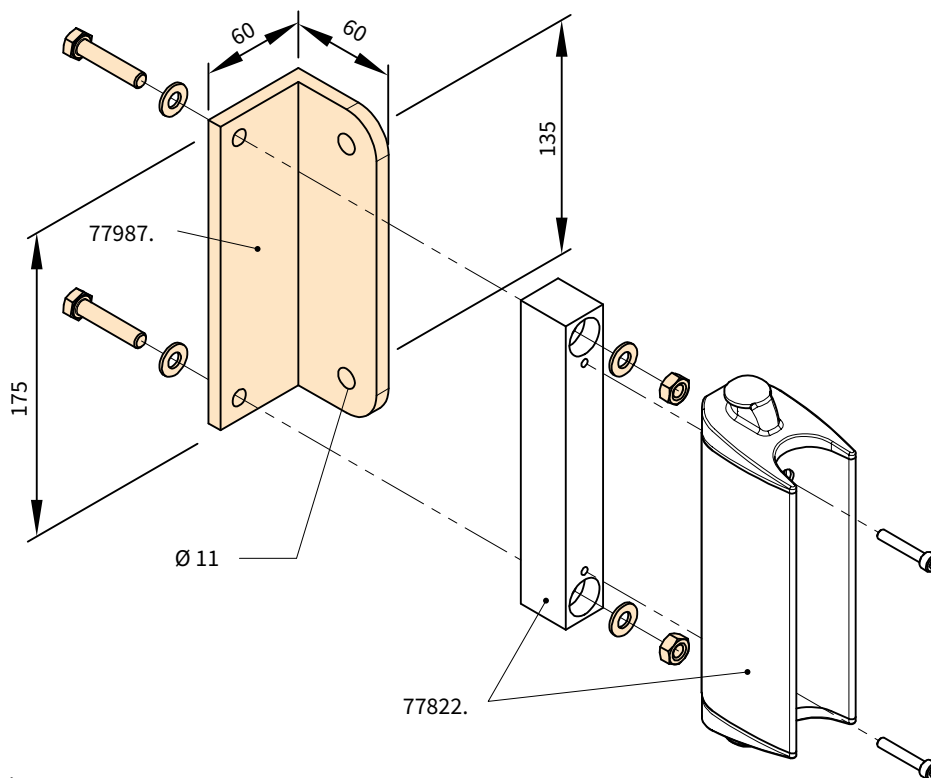
- 01
- 02
- 03
- 04
- 05
- 06
- 07
- 08
- 09
- 10
- 11
- 12
- 13
- 14
- 15
- 16**
- 17
- 18
- 19
- 20
- 21
- 22
- 23

Sectional view with wall docking bracket



dimensions in mm

Angled bracket assembly 77987. for the wall docking bracket, 77822.

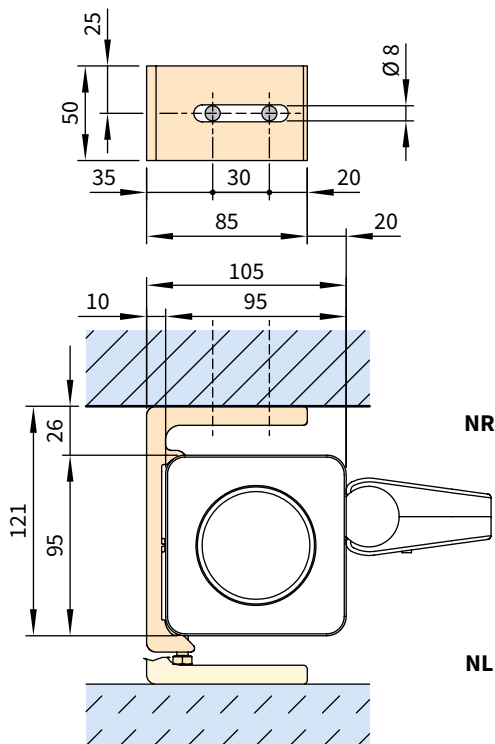


- AZ = extension
- 77987. = angled bracket assembly for lateral fixture
- 77822. = wall docking assembly for front profile

dimensions in mm

Reveal fixture

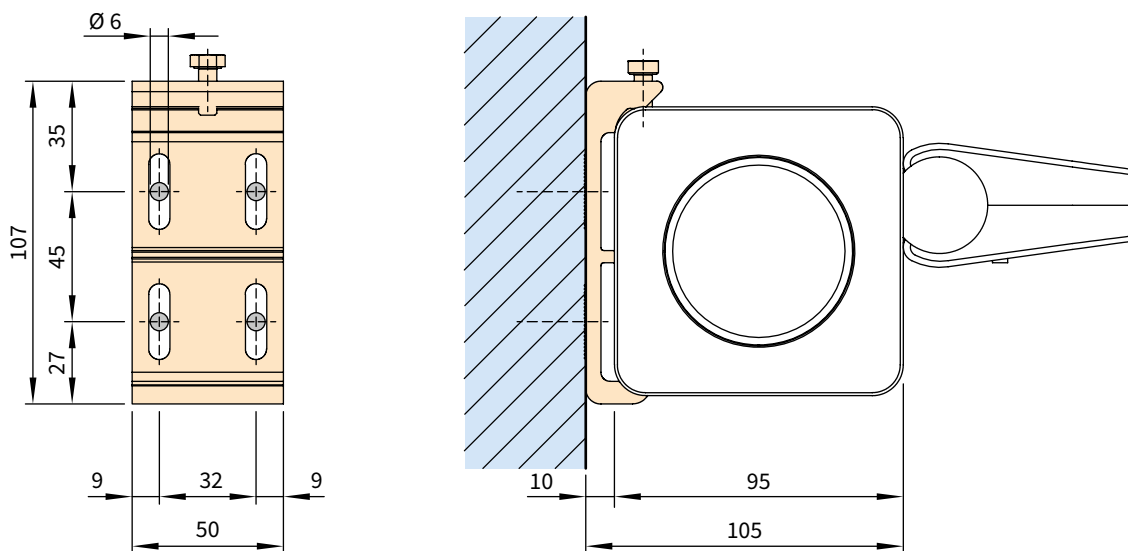
View from above



dimensions in mm

Face fixture

View from above



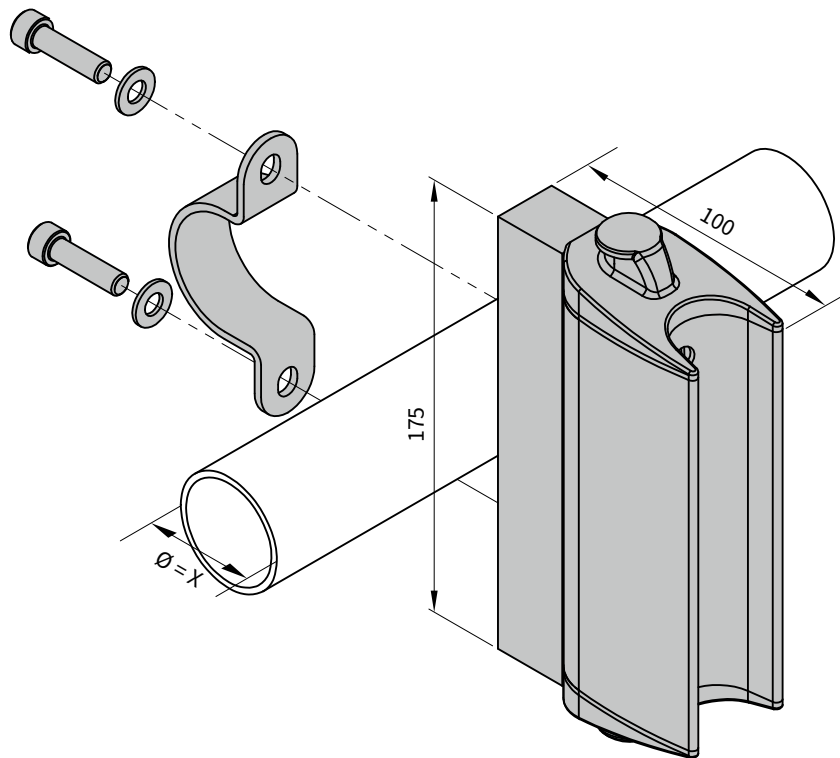
NR = reveal fixture right

NL = reveal fixture left

dimensions in mm

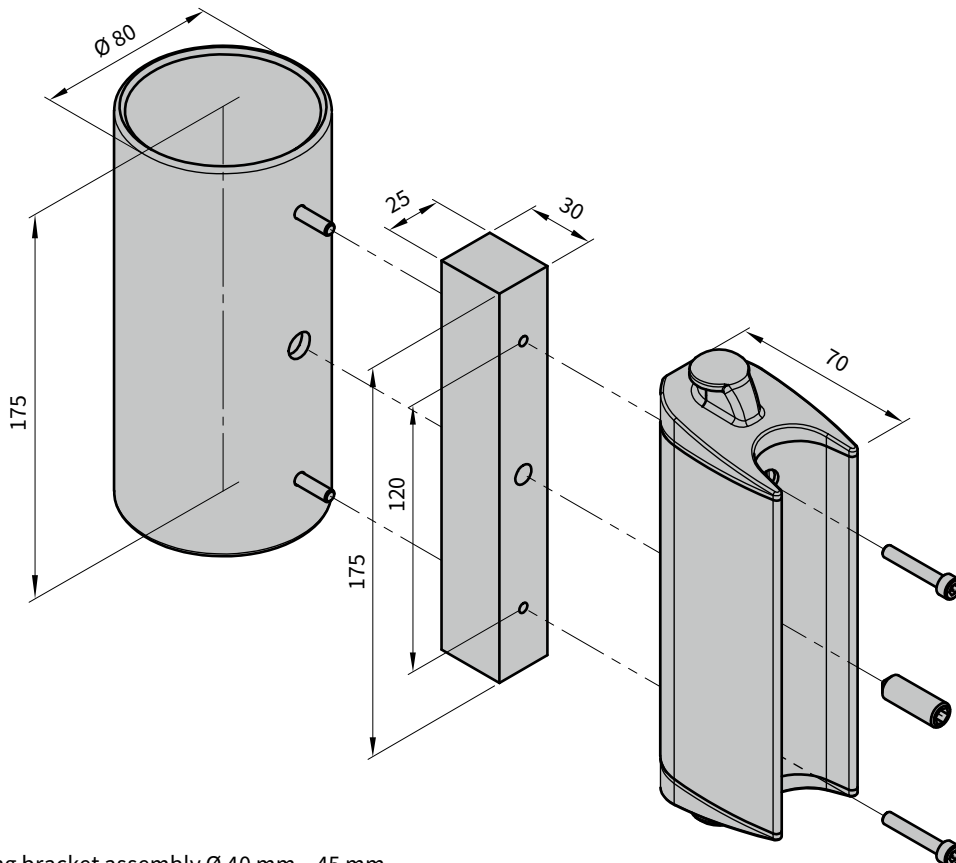
- 01
- 02
- 03
- 04
- 05
- 06
- 07
- 08
- 09
- 10
- 11
- 12
- 13
- 14
- 15
- 16
- 17
- 18
- 19
- 20
- 21
- 22
- 23

Railing bracket assembly



dimensions in mm

Bracket for pergola post 110 / 210



dimensions in mm

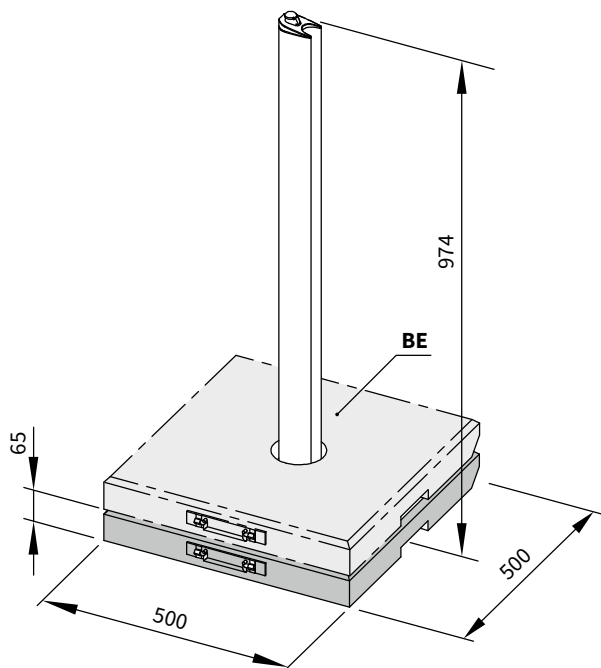
77984. = railing bracket assembly $\varnothing 40$ mm—45 mm

77985. = railing bracket assembly $\varnothing 45$ mm—50 mm

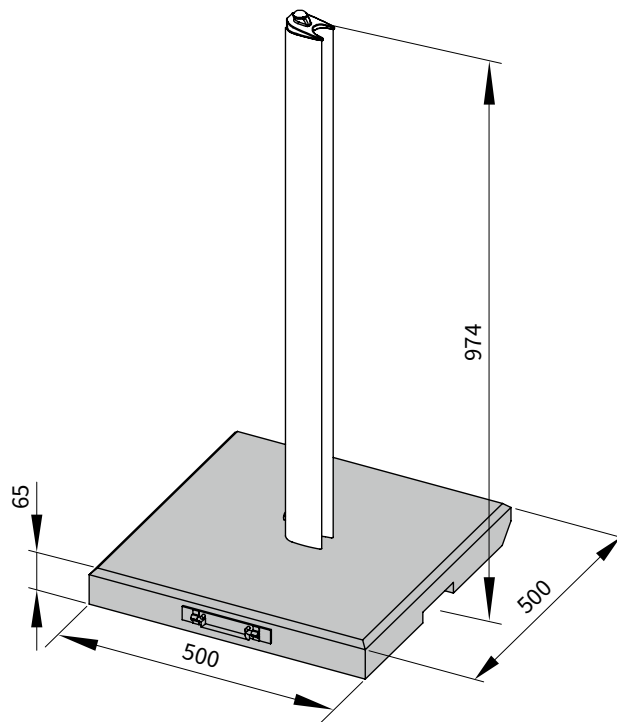
01
02
03
04
05
06
07
08
09
10
11
12
13
14
15
16
17
18
19
20
21
22
23

Dimension overview

mobilfix

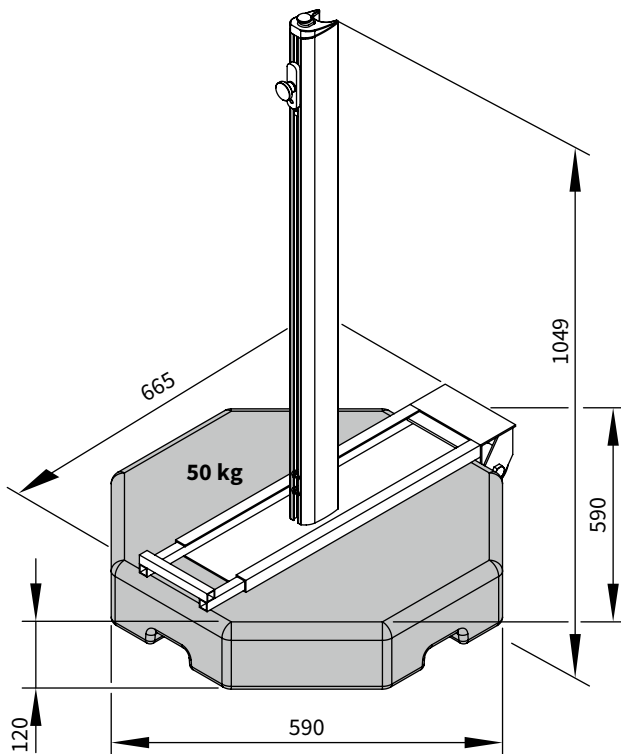


mobilfix with additional granite slab to increase stability

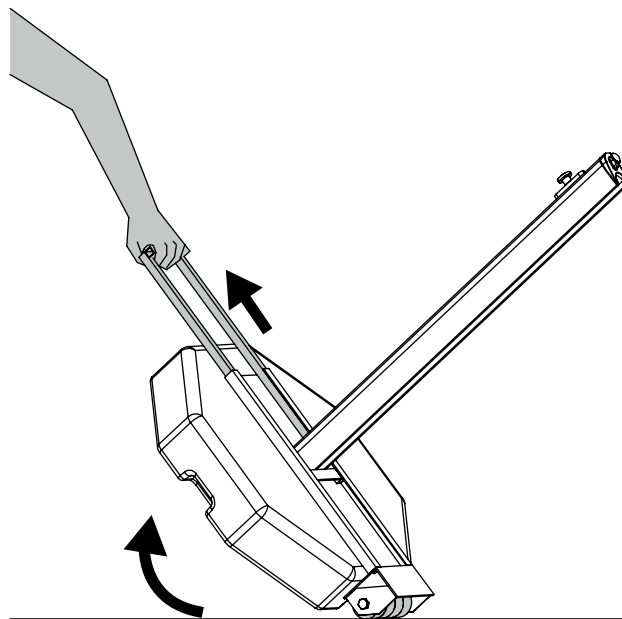


BE = additional granite slab to increase stability (optional)

mobilfix 2



transport function mobilfix 2



dimensions in mm

- 01
- 02
- 03
- 04
- 05
- 06
- 07
- 08
- 09
- 10
- 11
- 12
- 13
- 14
- 15
- 16
- 17
- 18
- 19
- 20
- 21
- 22
- 23

- 01
- 02
- 03
- 04
- 05
- 06
- 07
- 08
- 09
- 10
- 11
- 12
- 13
- 14
- 15
- 16**
- 17
- 18
- 19
- 20
- 21
- 22
- 23